

CONSTRUCTION TO BE DONE BY OTHER:

- 64" WIDE x 88" HIGH MIN DOOR OPENING WITH 165" MIN SWING CLEARANCE
 - ALL APPROVALS, PERMITS, AND AGENCY SUBMITTALS
 - WET ENVIRONMENT, DESIGN ROOM ACCORDINGLY
 - ROOM MUST REMAIN ABOVE FREEZING AT ALL TIMES OR WARRANTY IS VOIDED
- PLUMBING TO BE DONE BY OTHER:**
- 4" FLOOR DRAIN NEAR TREADMILL ENTRY/EXIT AND WATER STORAGE TANK
 - ADDITION DRAINS MAY BE ADDED TO HANDLE RAPIDLY DUMPED WATER
 - COLD AND HOT WATER SUPPLY WITH HOSE BIB, COLD FOR FILLING TANK (HEATED TANK) HOT FOR TOPPING OFF, CLEANUP AND PREPPING HORSES

ELECTRICAL TO BE DONE BY OTHER:

- 230V | 1PH | 60HZ | 50AMP | 3 WIRE ELECTRICAL SUPPLY AND MOUNT DISCONNECT
 - CONNECT INCOMING POWER TO CONTROL PANEL PER NEC CODE
- HUDSON SUPPLIED:**
- CUSTOM DESIGNED LAYOUT DRAWING WITH THE PURCHASE OF PRODUCT
 - INSTALLATION OF PURCHASED COMPONENTS AS PER SIGNED DRAWING
 - ON-SITE SERVICE TRAINING PROVIDED AFTER INSTALL
 - PROPOSED PLUMBING PATH FROM CENTER SECTION TO DRAIN

PURCHASED COMPONENTS:

- 0770557 - AQUAPACER
- 1000 GALLON TANK w/RECIRC.
- ENTRY RAMPS

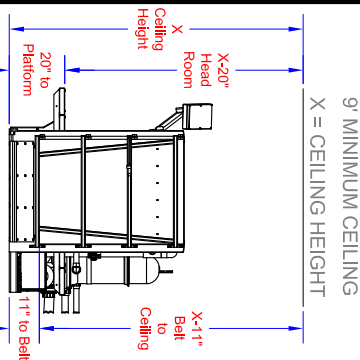
OPTIONS - NOT INCLUDED:

- 0790364 - OZONE WATER SANITIZER

TBD - INSULATED TANK COVER

TBD - 1,000 GALLON EXTRA TANK

ELEVATION VIEW:



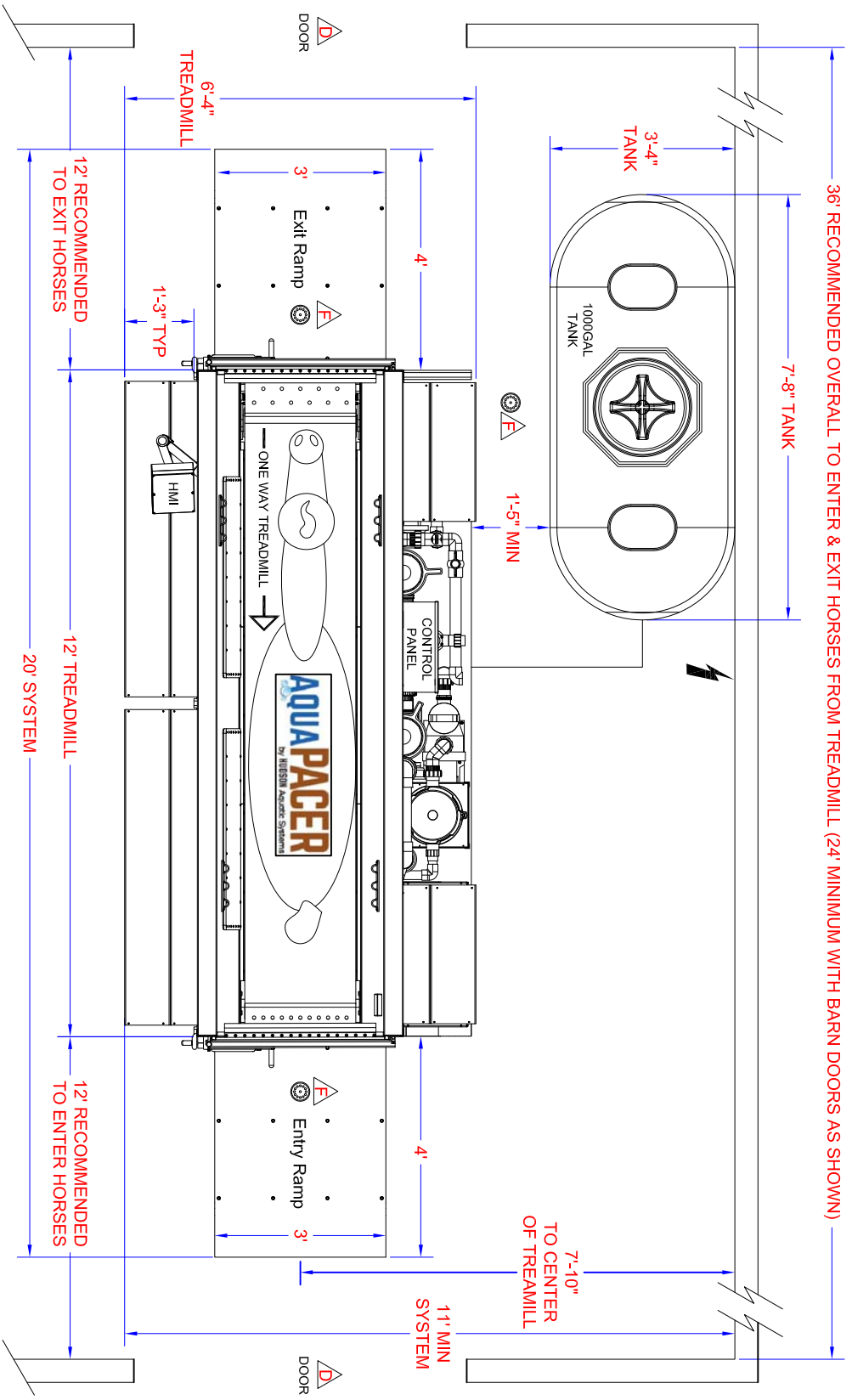
NOTE: CHECK HEAD CLEARANCES FOR HORSES AND HUMANS

WEIGHTS:

- TREADMILL WEIGHT 4,500 LBS
- TREADMILL AND WATER WEIGHT 13,000 LBS
- 1000 GALLON TANK WEIGHT 430 LBS
- 1000 GAL TANK & WATER WEIGHT 8,766 LBS

FLOOR LOAD:

SYSTEM & WATER FLOOR LOAD - 217 LBS PER SQ. FT.



... EXAMPLE DRAWING SHOWN, CALL ENGINEERING FOR A CUSTOM LAYOUT ...

HUDSON
AQUATIC SYSTEMS, LLC
1100 WOHLEBERT ST | LANGFOLA, IN 46703
PHONE: 1-800-939-3374 | ENG EXT.: 222

THIS DRAWING AND INFORMATION CONTAINED THEREON ARE CONFIDENTIAL AND THE PROPERTY OF HUDSON AQUATIC SYSTEMS, LLC. THEY ARE NOT TO BE REPRODUCED, DISTRIBUTED, DISCLOSED OR USED FOR ANY PURPOSE WITHOUT THE EXPRESS WRITTEN CONSENT OF HUDSON AQUATIC SYSTEMS.

DRAWN BY: SALESMAN: REV. DATE: DRAWING #: FACILITY NAME:
SDS XXXXX XXXXX 3-22-16 XX-XXXX AQUAPACER SAMPLE LAYOUT DRAWING

APPROVED BY: _____ DATE: _____

----- FINAL SIGN OFF BLOCK -----
PRODUCT TO BE BUILT AND INSTALLED AS SHOWN: