

**CONSTRUCTION TO BE DONE BY OTHER:**

- 64" WIDE x 88" HIGH MIN DOOR OPENING WITH 165" MIN SWING CLEARANCE
- ALL APPROVALS, PERMITS, AND AGENCY SUBMITTALS
- WET ENVIRONMENT, DESIGN ROOM ACCORDINGLY
- ROOM MUST REMAIN ABOVE FREEZING AT ALL TIMES OR WARRANTY IS VOIDED

**ELECTRICAL TO BE DONE BY OTHER:**

- 230V | 1PH | 60HZ | 50AMP | 3 WIRE ELECTRICAL SUPPLY AND MOUNT DISCONNECT
  - CONNECT INCOMING POWER TO CONTROL PANEL PER NEC CODE
- HUDSON SUPPLIED:**
- CUSTOM DESIGNED LAYOUT DRAWING WITH THE PURCHASE OF PRODUCT
  - INSTALLATION OF PURCHASED COMPONENTS AS PER SIGNED DRAWING
  - ON-SITE SERVICE TRAINING PROVIDED AFTER INSTALL
  - PROPOSED PLUMBING PATH FOR GRAVITY DRAINING OF UNITS

**PURCHASED COMPONENTS:**

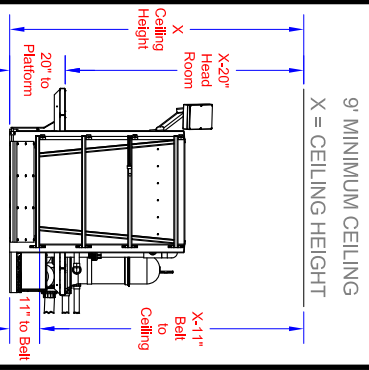
- 0790657-A
- AQUAPACER
- 1000 GALLON TANK w/RECIRC.
- ENTRY RAMPS

**OPTIONS - NOT INCLUDED:**

- 0790364-A
- OZONE WATER SANITIZER

TBD  
-420 SQ. FT DRAIN PREFILTER

**ELEVATION VIEW:**



NOTE: CHECK HEAD CLEARANCES FOR HORSES AND HUMANS

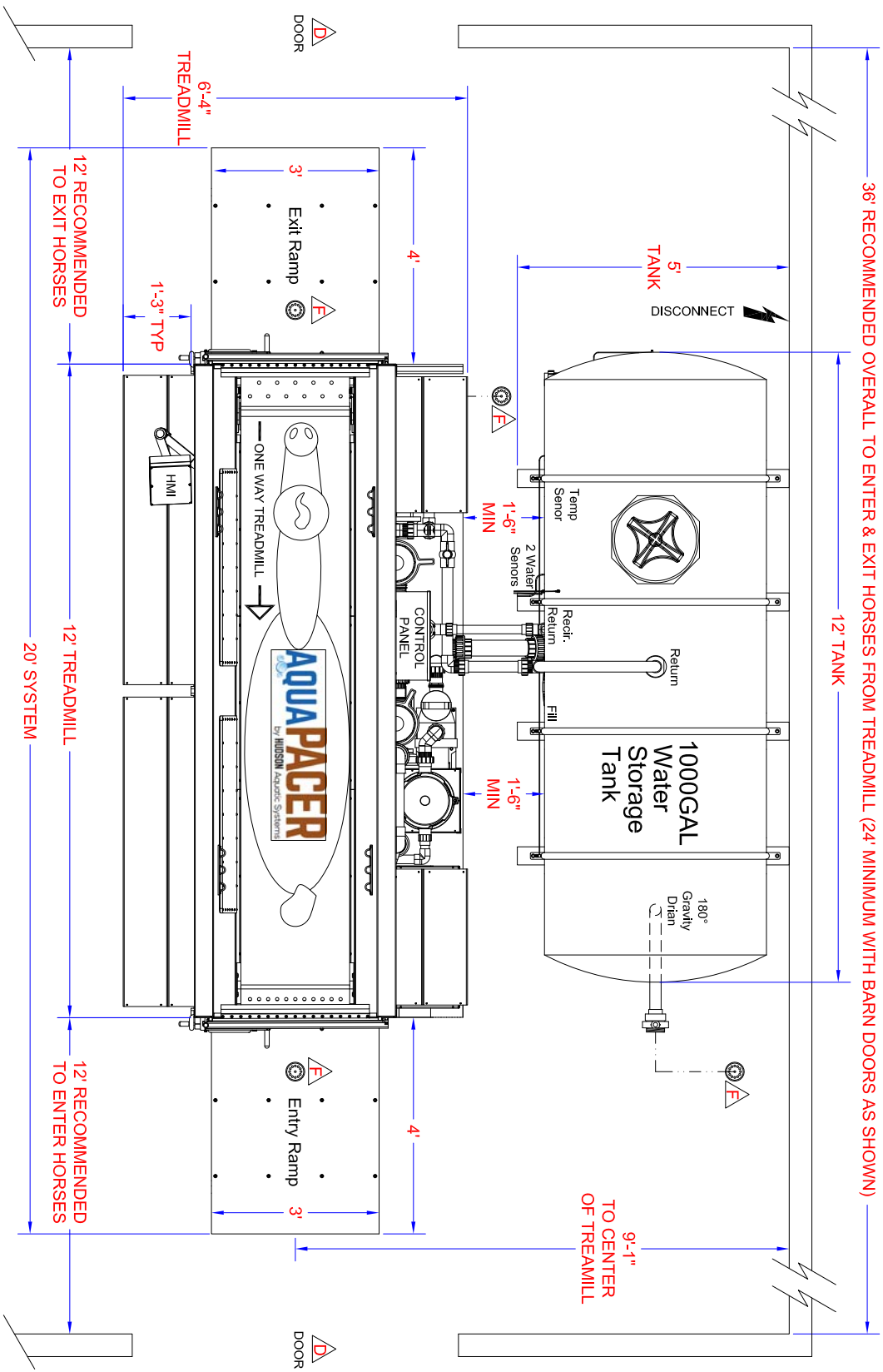
**WEIGHTS:**

- TREADMILL WEIGHT 4,500 LBS
- TREADMILL AND WATER WEIGHT 13,000 LBS
- 1000 GALLON TANK WEIGHT 530 LBS
- 1000 GAL TANK & WATER WEIGHT 8,866 LBS

**FLOOR LOAD:**

- TREADMILL & WATER FLOOR LOAD -217 LBS PER SQ. FT.
- TANK & WATER FLOOR LOAD -246 LBS PER SQ. FT.

- PLUMBING TO BE DONE BY OTHER:**
- 4" FLOOR DRAIN NEAR TREADMILL ENTRY/EXIT AND WATER STORAGE TANK
  - ADDITION DRAINS MAY BE ADDED TO HANDLE RAPIDLY DUMPED WATER
  - COLD AND HOT WATER SUPPLY WITH HOSE BIB, COLD FOR FILLING TANK (HEATED TANK) HOT FOR TOPPING OFF, CLEANUP AND PREPPING HORSES



--- EXAMPLE DRAWING SHOWN. CALL ENGINEERING FOR A CUSTOM LAYOUT ---

**HUDSON**  
AQUATIC SYSTEMS, LLC  
1100 WOHLERT ST | LANGFOLA, IN 46703  
PHONE: 1-800-939-3374 | ENG EXT.: 222

THIS DRAWING AND INFORMATION CONTAINED THEREON ARE CONFIDENTIAL AND THE PROPERTY OF HUDSON AQUATIC SYSTEMS, LLC. THEY ARE NOT TO BE REPRODUCED, DISTRIBUTED, DISCLOSED OR USED FOR ANY PURPOSE WITHOUT THE EXPRESS WRITTEN CONSENT OF HUDSON AQUATIC SYSTEMS.

DRAWN BY: SDS  
SALESMAN: XXXXX XXXXX  
REV. DATE: 11-29-17  
DRAWING #: XX-XXXX  
FACILITY NAME: AQUAPACER SAMPLE LAYOUT DRAWING

APPROVED BY: \_\_\_\_\_  
DATE: \_\_\_\_\_

----- FINAL SIGN OFF BLOCK -----  
PRODUCT TO BE BUILT AND INSTALLED AS SHOWN: