

PUMPING TO BE DONE BY FACILITY:

- 4" FLOOR DRAIN NEAR TREADMILL ENTRY & EXIT REQUIRED
- 12" X 12" RECESSED FLOOR DRAIN NEAR EQUIPMENT REQUIRED
- COLD WATER SUPPLY w/HOSE BIB, FOR FILLING WATER STORAGE TANK
- HOT WATER w/HOSE BIB FOR MAKEUP, TREADMILL & FILTER CLEANING
- CONNECTION TO 3-WAY VALVE AFTER RECIR. PUMP FOR POWER DRAINING WATER TO SUPPLIED 500 GALLON HOLDING TANK TO WATER ARENA

ELECTRICAL TO BE DONE BY FACILITY:

- MOUNT PANEL & DISCONNECTS, CONNECT POWER PER NEC CODE, TO HUDSON PANEL, 4.5-TON CHILLER, AND HEAT EXCHANGER PUMP
- AFTER INSTALL BOND ALL EQUIPMENT PER NEC CODE
- EQUIPMENT WILL RUN BELOW 230VAC, BUT SHORTENS LIFE EXPECTANCY & VOIDS WARRANTY (AQUAPACER TRANSFORMER 0789490 RAISES 20VAC)

CONSTRUCTION TO BE DONE BY FACILITY:

- 64"W x 88"H MIN DOOR OPENING, 165" MIN SWING CLEARANCE
- ACCESS TO SITE, UNLOADING AND PLACEMENT OF EQUIPMENT
- ALL APPROVALS, PERMITS, AND AGENCY SUBMITTALS
- WET ENVIRONMENT, DESIGN ROOM ACCORDINGLY
- FREEZING TO SYSTEMS VOIDS WARRANTY, PROTECT AS NEEDED
- NEED FORKLIFT WITH FORKS 7-3/4" WIDE (MAX) X 8FT LONG (MIN)
- FLOOR UNDER TREADMILL BE FLAT & LEVEL WITHIN .5" PER 12FT

HUDSON SUPPLIED:

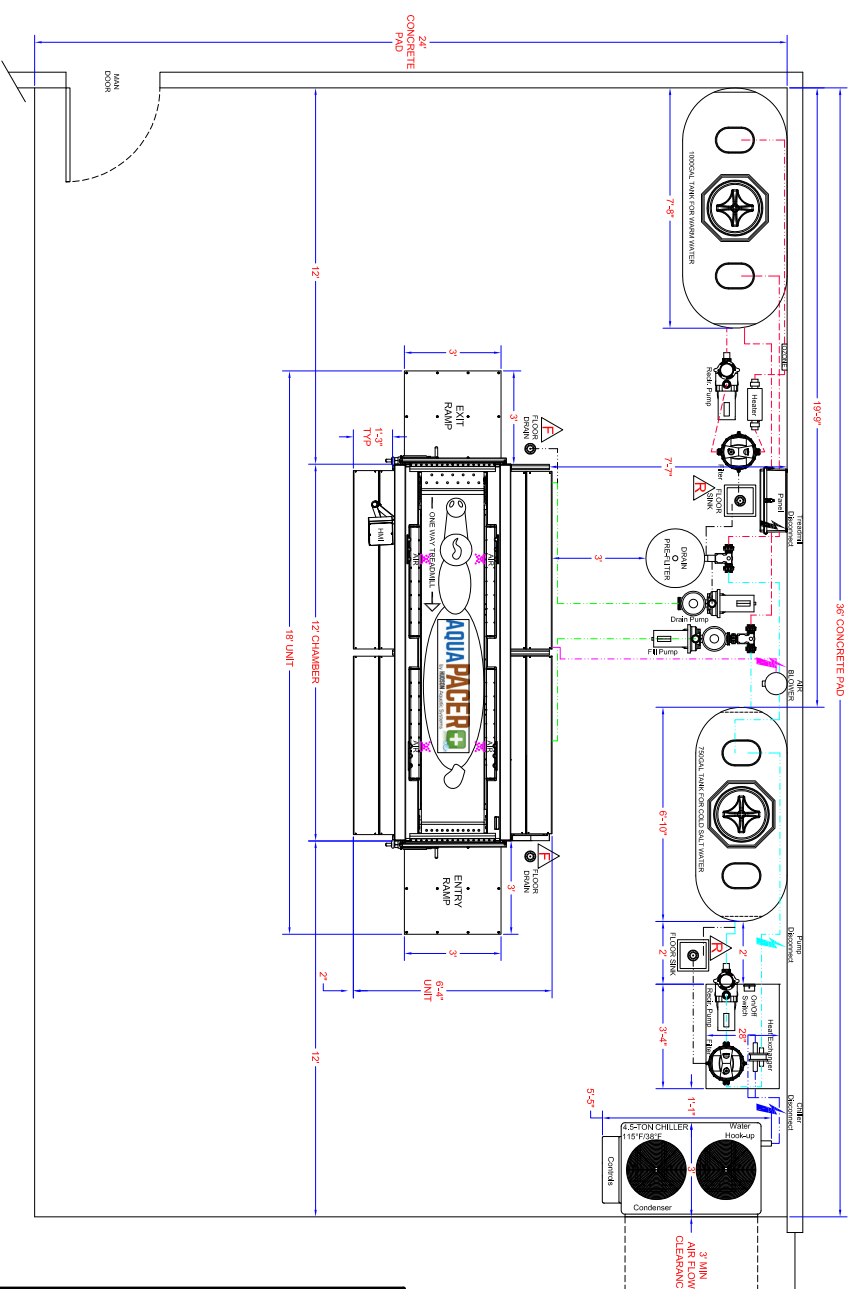
- CUSTOM DESIGNED LAYOUT DRAWING WITH PURCHASE OF PRODUCT
- INSTALLATION OF PURCHASED ITEMS AS PER FINAL SIGNED DRAWING
- ON-SITE SERVICE TRAINING PROVIDED AFTER INSTALL
- ELECTRICAL CONNECTIONS FROM HUDSON PANEL TO HMI, MOTOR, 3-WAY VALVES, PUMPS, HEATER AND OZONE
- "ASK SAM" WATER CARE SERVICE & AFTER HOURS SERVICE SUPPORT
- PROPOSED PLUMBING PATH FOR GRAVITY DRAINING OF TANKS
- PROPOSED PLUMBING PATH FROM TREADMILL TO 3-WAY VALVES
- PROPOSED PLUMBING PATH FROM 3-WAY VALVES TO COLD TANK
- PROPOSED PLUMBING PATH FROM 3-WAY VALVES TO HOT TANK
- PROPOSED PLUMBING PATH FROM TREADMILL TO AIR INJECTOR
- 3-WAY VALVE TO BE INSTALL AFTER RECIRC. PUMPS FOR DRAINING

PURCHASED ITEMS:

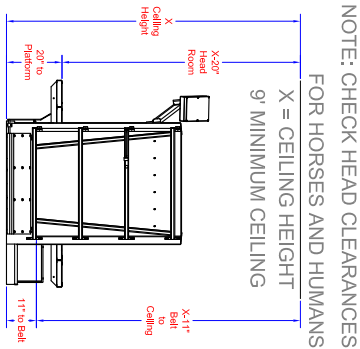
- 0790957 OPT4 AQUAPACER PLUS w/HC PANEL
- 1000 GAL TANK w/5.5KW HEATER
- 0790364-A OZONE WATER SANITIZER
- 0792100-OPT3 750 GAL TANK w/4.5-TON CHILLER AND 420 SQ FT DRAIN PREFILTER
- 0792024 4 PACK AIR INJECTORS
- 2150274 (QTY 2) 3-WAY MANUAL VALVE, 1-1/2" OR 2"

LOCATION:	QTY:	DESCRIPTION:	SIZE:	VOLTAGE:	PHASE:	FLA:	BREAKER:	COMMENTS:
	1	RECIRCULATION PUMP	1/2HP	208-230	1	4.5-4.4	10	GFI REQUIRED - 3 WIRE SERVICE TO PUMP
	1	4.5-TON CHILLER	115T/F/38F	4.5-TON	1	57	80	GFI REQUIRED & WITHIN 5 FEET OF CHILLER - 3 WIRE SERVICE TO CHILLER
	1	TREADMILL	N/A	230	1	N/A	50	WIRE FROM THE DISCONNECT TO THE HUDSON CONTROL PANEL USING 3 CONDUCTOR WIRE
	1	OZONE	25K GAL	110-250	1	1 AMP MAX	15	WIRE INTO RECIRCULATION TERMINAL STRIP IN THE HUDSON CONTROL PANEL
	1	AIR BLOWER	1HP	110	1	10.2	15	GFI REQUIRED - 3 WIRE SERVICE TO AIR BLOWER (MOUNT AIR BLOWER 6 FEET MINIMUM FROM BOTTOM TO FLOOR), WIRE FROM DISCONNECT TO ON/OFF SWITCH (MOUNTED ON TREADMILL NEAR TOUCH SCREEN), THEN BACK TO THE AIR BLOWER

FACILITY LAYOUT:



ELEVATION VIEW:



HUDSON
AQUATIC SYSTEMS, LLC
1100 WOHLERT ST | LANGFOLA, IN 46703
PHONE: 1-800-939-3374 | ENG EXT.: 222

THIS DRAWING AND INFORMATION CONTAINED THEREON ARE CONFIDENTIAL AND THE PROPERTY OF HUDSON AQUATIC SYSTEMS, LLC. THEY ARE NOT TO BE REPRODUCED, DISTRIBUTED, DISCLOSED OR USED FOR ANY PURPOSE WITHOUT THE EXPRESS WRITTEN CONSENT OF HUDSON AQUATIC SYSTEMS.

DRAWN BY: SDS
SALESMAN: XXXX XXXX
REV. DATE: 12-21-2022
DRAWING #: 1
FACILITY NAME: SAMPLE AQUAPACER PLUS w/ WARM TANK AND COLD SALT TANK

WEIGHTS:

- TREADMILL EMPTY 4,500 LBS
- TREADMILL w/43" WATER 13,000 LBS
- 750 GALLON TANK EMPTY 400 LBS
- 750 GALLON TANK w/WATER 6,652 LBS
- 1000 GALLON TANK EMPTY 430 LBS
- 1000 GALLON TANK w/WATER 8,766 LBS
- 4-TON CHILLER EMPTY 1,030 LBS
- HEAT EXCHANGE EMPTY 415 LBS

FLOOR LOAD:

- TREADMILL w/43" WATER 217 LBS PER SQ. FT.
- 750 GALLON TANK w/WATER 421 LBS PER SQ. FT.
- 1000 GALLON TANK w/WATER 458 LBS PER SQ. FT.
- 4-TON CHILLER EMPTY 69 LBS PER SQ. FT.
- HEAT EXCHANGE EMPTY 67 LBS PER SQ. FT.

--- FINAL DRAWING SIGN OFF ---
PRODUCT TO BE BUILT AND INSTALLED AS SHOWN:
APPROVED BY: _____
DATE: _____

CONSTRUCTION TO BE DONE BY FACILITY:

- 64" WIDE x 88" HIGH MIN DOOR OPENING WITH 165" MIN SWING CLEARANCE
- ALL APPROVALS, PERMITS, AND AGENCY SUBMITTALS
- WET ENVIRONMENT, DESIGN ROOM ACCORDINGLY
- ROOM MUST REMAIN ABOVE FREEZING AT ALL TIMES OR WARRANTY IS VOIDED
- NEED FORKLIFT WITH FORKS 7-3/4" WIDE (MAX) x 6FT LONG (MINIMUM)
- FLOOR UNDER TREADMILL BE FLAT & LEVEL WITHIN .5" PER 12FT

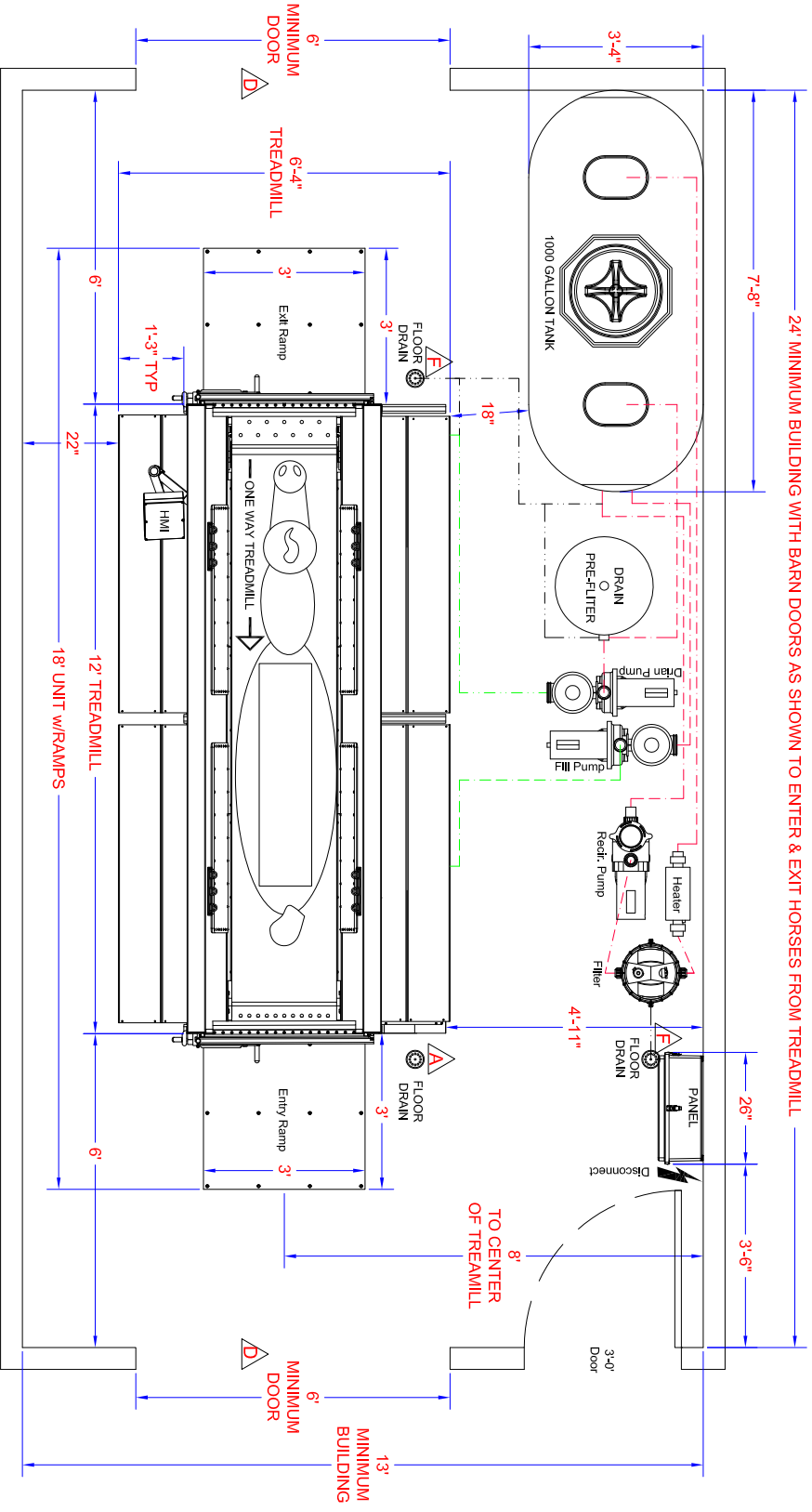
PLUMBING TO BE DONE BY FACILITY:

- 4" FLOOR DRAIN NEAR TREADMILL CORNER AND MECHANICAL EQUIPMENT
- ADDITION DRAIN MAY BE ADDED TO HANDLE RAPIDLY DUMPED WATER
- COLD WATER SUPPLY WITH HOSE BIB, FOR FILLING WATER STORAGE TANK
- HOT WATER WITH HOSE BIB FOR MAKEUP, TREADMILL & CARTRIDGE CLEANING

FACILITY LAYOUT:

ELECTRICAL TO BE DONE BY FACILITY:

- 230V | 1PH | 60HZ | 50AMP | 3 WIRE ELECTRICAL SUPPLY AND MOUNT DISCONNECT
 - CONNECT INCOMING POWER TO CONTROL PANEL PER NEC CODE
 - EQUIPMENT WILL RUN BELOW 230VAC, BUT SHORTENS LIFE EXPECTANCY AND VOIDS WARRANTY (AN AQUABOOST TRANSFORMER P/N0789490 RAISES 20VAC)
- HUDSON SUPPLIED:**
- CUSTOM DESIGNED LAYOUT DRAWING WITH THE PURCHASE OF PRODUCT
 - INSTALLATION OF PURCHASED ITEMS AS PER FINAL SIGNED DRAWING
 - ON SITE IN-SERVICE TRAINING PROVIDED AFTER INSTALL
 - "ASK SAW" WATER CARE SERVICE & AFTER HOURS SERVICE SUPPORT
 - PROPOSED PLUMBING PATH FOR GRAVITY DRAINING OF UNITS



--- EXAMPLE DRAWING SHOWN, CALL ENGINEERING FOR A CUSTOM LAYOUT ---

HUDSON
 AQUATIC SYSTEMS, LLC
 1100 WOHLEBERT ST | ANGOLA, IN 46703
 PHONE: 1-800-938-3374 | ENG EXT: 222

THIS DRAWING AND INFORMATION CONTAINED THEREON ARE CONFIDENTIAL AND THE PROPERTY OF HUDSON AQUATIC SYSTEMS, LLC. THEY ARE NOT TO BE REPRODUCED, DISTRIBUTED, DISCLOSED OR USED FOR ANY PURPOSE WITHOUT THE EXPRESS WRITTEN CONSENT OF HUDSON AQUATIC SYSTEMS.

DRAWN BY: SALESWOMAN: REV. DATE: DRAWING #: FACILITY NAME:
 SDS XXXXX XXXXX 1-4-23 XX-XXXX AQUAPACER+ w/1000 GALLON TANK (PACKAGE SAMPLE LAYOUT)

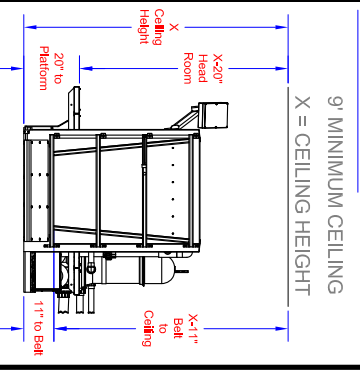
SYSTEM:

- 0790957 OPT2
- AQUAPACER+ w/RAMPS
- 1000 GALLON TANK w/EQUIPMENT
- INSTALL KIT

REQUIRED OPTION:

- 0790481
- DRAIN PRE-FILTER 420 SQ.FT.

ELEVATION VIEW:



NOTE: CHECK HEAD CLEARANCES FOR HORSES AND HUMANS

- WEIGHTS:**
- TREADMILL EMPTY 4,500 LBS
 - TREADMILL w/43" WATER 13,000 LBS
 - 1000 GALLON TANK EMPTY 430 LBS
 - 1000 GALLON TANK w/WATER 8,766 LBS
- FLOOR LOAD:**
- TREADMILL w/43" WATER 217 LBS PER SQ. FT.
 - 1000 GALLON TANK w/WATER 458 LBS PER SQ. FT.

APPROVED BY: _____ DATE: _____

--- FINAL DRAWING SIGN OFF ---
 PRODUCT TO BE BUILT AND INSTALLED AS SHOWN