

**CONSTRUCTION TO BE DONE BY FACILITY:**

- 64" WIDE x 88" HIGH MIN DOOR OPENING WITH 165" MIN SWING CLEARANCE
- ALL APPROVALS, PERMITS, AND AGENCY SUBMITTALS
- WET ENVIRONMENT, DESIGN ROOM ACCORDINGLY
- ROOM MUST REMAIN ABOVE FREEZING AT ALL TIMES OR WARRANTY IS VOIDED
- NEED FORKLIFT WITH FORKS 7-3/4" WIDE (MAX) x 6FT LONG (MINIMUM)
- FLOOR UNDER TREADMILL BE FLAT & LEVEL WITHIN .5" PER 12FT

**PLUMBING TO BE DONE BY FACILITY:**

- 4" FLOOR DRAIN NEAR TREADMILL CORNER AND WATER STORAGE TANK
- ADDITION DRAIN MAY BE ADDED TO HANDLE RAPIDLY DUMPED WATER
- COLD WATER SUPPLY WITH HOSE BIB, FOR FILLING WATER STORAGE TANK
- HOT WATER WITH HOSE BIB FOR MAKEUP, TREADMILL & CARTRIDGE CLEANING

**FACILITY LAYOUT:**

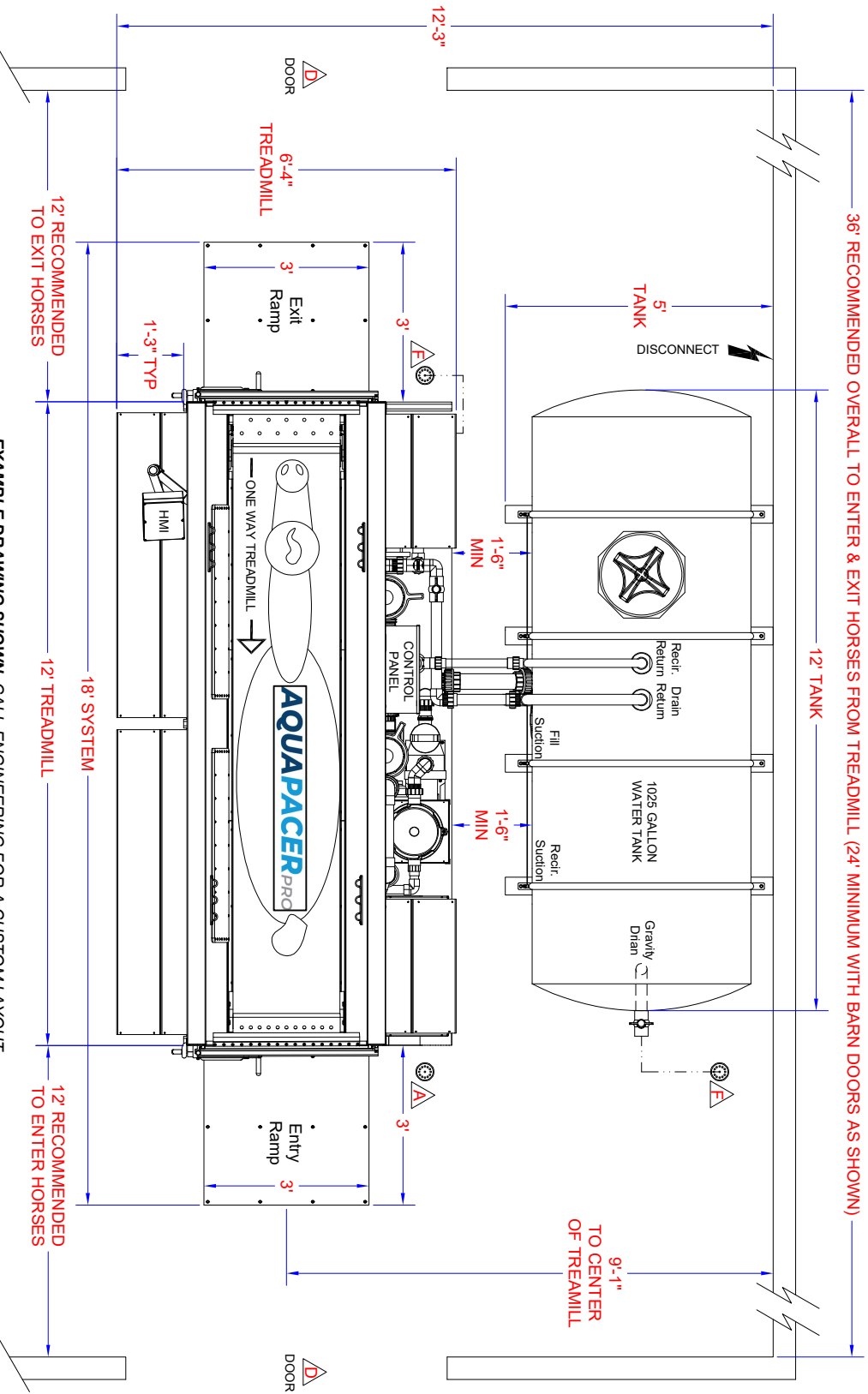
36' RECOMMENDED OVERALL TO ENTER & EXIT HORSES FROM TREADMILL (24' MINIMUM WITH BARN DOORS AS SHOWN)

**ELECTRICAL TO BE DONE BY FACILITY:**

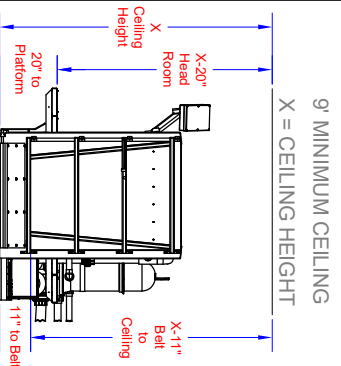
- 230V | 1PH | 60HZ | 50AMP | 3 WIRE ELECTRICAL SUPPLY AND MOUNT DISCONNECT
  - CONNECT INCOMING POWER TO CONTROL PANEL PER NEC CODE
  - EQUIPMENT WILL RUN BELOW 230VAC, BUT SHORTENS LIFE EXPECTANCY AND VOIDS WARRANTY (AN AQUABOOST TRANSFORMER P/N0789490 RAISES 20VAC)
- HUDSON SUPPLIED:**
- CUSTOM DESIGNED LAYOUT DRAWING WITH THE PURCHASE OF PRODUCT
  - INSTALLATION OF PURCHASED ITEMS AS PER FINAL SIGNED DRAWING
  - ON SITE IN-SERVICE TRAINING PROVIDED AFTER INSTALL
  - "ASK SAW" WATER CARE SERVICE & AFTER HOURS SERVICE SUPPORT
  - PROPOSED PLUMBING PATH FOR GRAVITY DRAINING OF UNITS

**PURCHASED SYSTEM:**

- 0790657
- AQUAPACER
- 1025 GALLON TANK w/RECIRC.
- ENTRY RAMPS



**ELEVATION VIEW:**



NOTE: CHECK HEAD CLEARANCES FOR HORSES AND HUMANS

**WEIGHTS:**

- TREADMILL EMPTY 4,500 LBS
  - TREADMILL w/43" WATER 13,000 LBS
  - 1025 GALLON TANK EMPTY 530 LBS
  - 1025 GALLON TANK w/WATER 8,866 LBS
- FLOOR LOAD:**
- TREADMILL w/43" WATER 217 LBS PER SQ. FT.
  - 1025 GALLON TANK w/WATER 246 LBS PER SQ. FT.

--- FINAL DRAWING SIGN OFF ---  
 PRODUCT TO BE BUILT AND INSTALLED AS SHOWN:

APPROVED BY: \_\_\_\_\_  
 DATE: \_\_\_\_\_



100 WOHLETT ST | ANGOLA, IN 46703  
 HOME: 1-800-939-3374 | ENG EXT: 222

DRAWN BY: HJS	SALESMAN: XXXXX XXXXX	REV. DATE: 4-2-24	DRAWING #: XX-XXXX	FACILITY NAME: AQUAPACER PRO w/RAMPS, 1025GAL TANK (SYSTEM SAMPLE LAYOUT)
---------------	-----------------------	-------------------	--------------------	---

THIS DRAWING AND INFORMATION CONTAINED THEREON ARE CONFIDENTIAL AND THE PROPERTY OF HUDSON AQUATIC SYSTEMS, LLC. THEY ARE NOT TO BE REPRODUCED, DISTRIBUTED, DISCLOSED OR USED FOR ANY PURPOSE WITHOUT THE EXPRESS WRITTEN CONSENT OF HUDSON AQUATIC SYSTEMS.

--- EXAMPLE DRAWING SHOWN, CALL ENGINEERING FOR A CUSTOM LAYOUT ---

12' RECOMMENDED TO EXIT HORSES

12' TREADMILL

12' RECOMMENDED TO ENTER HORSES

18" SYSTEM

1-3" TYP

6'-4" TREADMILL

3' Exit Ramp

3' Entry Ramp

DOOR

CONTROL PANEL

HMI

ONE WAY TREADMILL

DOOR

5' TANK

DISCONNECT

1-6" MIN

Recirc. Drain Return

1025 GALLON WATER TANK

1-6" MIN

Recirc. Suction

Gravity Drain

9'-11" TO CENTER OF TREADMILL

12' TANK