

CONSTRUCTION TO BE DONE BY FACILITY:

- 64" WIDE x 88" HIGH MIN DOOR OPENING WITH 165" MIN SWING CLEARANCE
- ALL APPROVALS, PERMITS, AND AGENCY SUBMITTALS
- WET ENVIRONMENT, DESIGN ROOM ACCORDINGLY
- ROOM MUST REMAIN ABOVE FREEZING AT ALL TIMES OR WARRANTY IS VOIDED
- NEED FORKLIFT WITH FORKS 7-3/4" WIDE (MAX) x 6FT LONG (MINIMUM)
- FLOOR UNDER TREADMILL BE FLAT & LEVEL WITHIN .5" PER 12FT

PLUMBING TO BE DONE BY FACILITY:

- .4" FLOOR DRAIN NEAR TREADMILL CORNER AND WATER STORAGE TANK
- ADDITION DRAINS MAY BE ADDED TO HANDLE RAPIDLY DUMPED WATER
- COLD WATER SUPPLY WITH HOSE BIB, FOR FILLING WATER STORAGE TANK
- HOT WATER WITH HOSE BIB FOR MAKEUP, TREADMILL & CARTRIDGE CLEANING

FACILITY LAYOUT:

ELECTRICAL TO BE DONE BY FACILITY:

- 230V | 1PH | 60HZ | 50AMP | 3 WIRE ELECTRICAL SUPPLY AND MOUNT DISCONNECT
- CONNECT INCOMING POWER TO CONTROL PANEL PER NEC CODE
- EQUIPMENT WILL RUN BELOW 230VAC, BUT SHORTENS LIFE EXPECTANCY AND VOIDS WARRANTY (AN AQUABOOST TRANSFORMER P/N0789490 RAISES 20VAC)
- HUDSON SUPPLIED:
- CUSTOM DESIGNED LAYOUT DRAWING WITH THE PURCHASE OF PRODUCT
- INSTALLATION OF PURCHASED ITEMS AS PER FINAL SIGNED DRAWING
- ON SITE IN-SERVICE TRAINING PROVIDED AFTER INSTALL
- *ASK SAW* WATER CARE SERVICE & AFTER HOURS SERVICE SUPPORT
- PROPOSED PLUMBING PATH FOR GRAVITY DRAINING OF UNITS

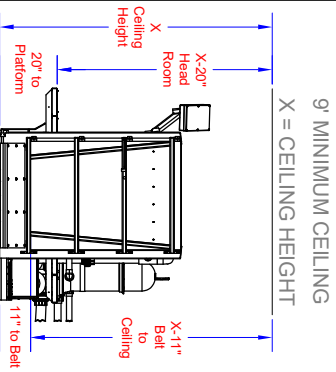
PURCHASED SYSTEM:

- 0790657-C AQUAPACER
- 1025 GALLON TANK w/RECIRC.
- ENTRY RAMPS
- 0790481
- 420 SQ. FT DRAIN PRE-FILTER

OPTIONS - NOT INCLUDED:

- 2182581 60AMP MAX SIEMENS DISCONNECT
- 0790364-A OZONE WATER SANITIZER
- 0790007 WATER TANK AUTO FILL VALVE
- 2810407 INSULATED 1025 GAL TANK COVER

ELEVATION VIEW:



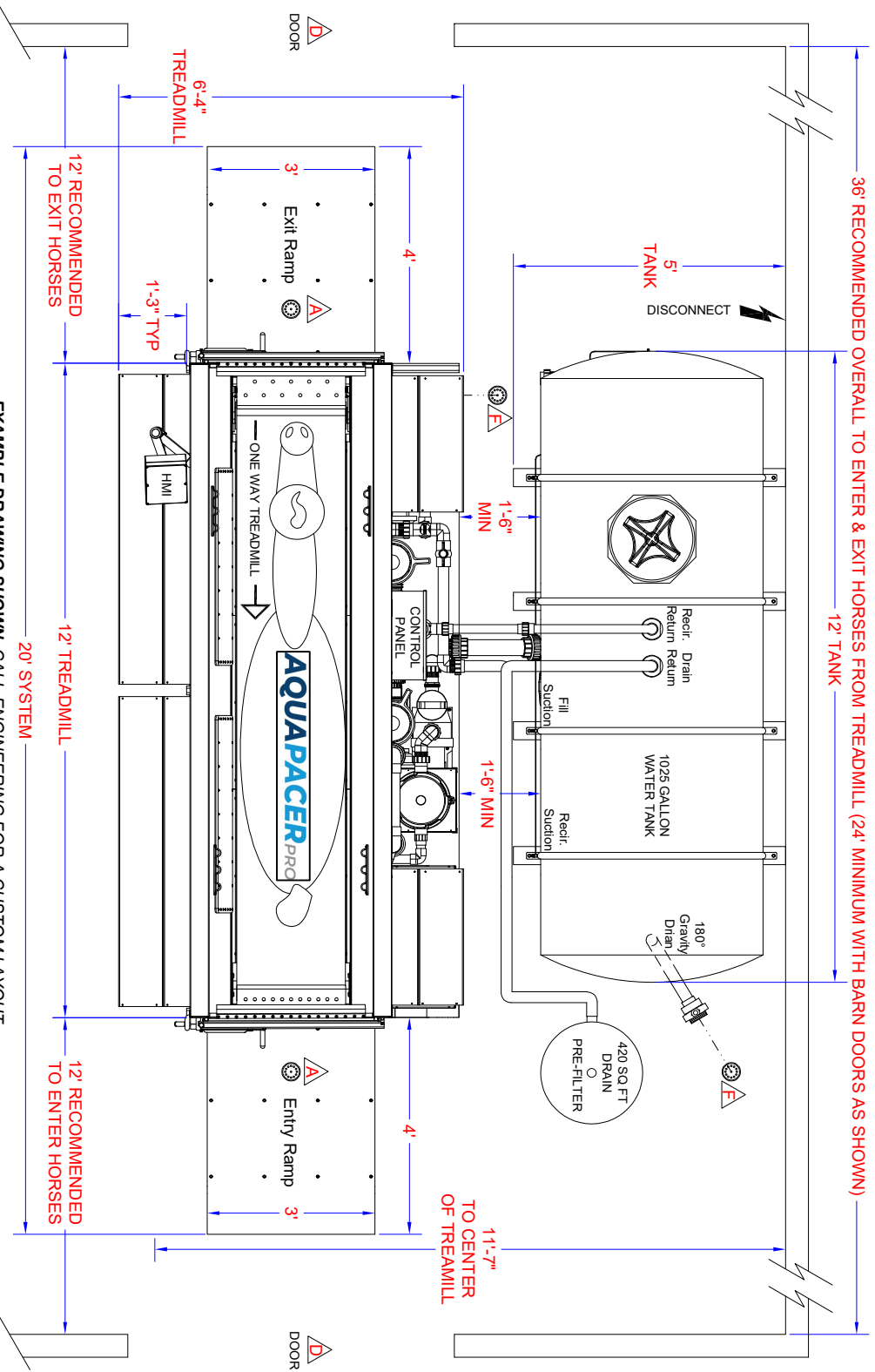
NOTE: CHECK HEAD CLEARANCES FOR HORSES AND HUMANS

WEIGHTS:

TREADMILL EMPTY	4,500 LBS
TREADMILL w/43" WATER	13,000 LBS
1025 GALLON TANK EMPTY	530 LBS
1025 GALLON TANK w/WATER	8,866 LBS
FLOOR LOAD:	
TREADMILL w/43" WATER	217 LBS PER SQ. FT.
1025 GALLON TANK w/WATER	246 LBS PER SQ. FT.

--- FINAL DRAWING SIGN OFF ---
PRODUCT TO BE BUILT AND INSTALLED AS SHOWN:

APPROVED BY: _____
DATE: _____



--- EXAMPLE DRAWING SHOWN, CALL ENGINEERING FOR A CUSTOM LAYOUT ---



100 WOHLEHT ST | ANGOLA, IN 46703
HOME: 1-800-939-5374 | ENG EXT: 222

DRAWN BY: HJS	SALESMAN: XXXXX XXXXX	REV. DATE: 4-2-24	DRAWING #: XX-XXXX	FACILITY NAME: AQUAPACER PRO w/1025G TANK & PRE-FILTER (SAMPLE TEMPLATE)
---------------	-----------------------	-------------------	--------------------	--

THIS DRAWING AND INFORMATION CONTAINED THEREON ARE CONFIDENTIAL AND THE PROPERTY OF HUDSON AQUATIC SYSTEMS, LLC. THEY ARE NOT TO BE REPRODUCED, DISTRIBUTED, DISCLOSED OR USED FOR ANY PURPOSE WITHOUT THE EXPRESS WRITTEN CONSENT OF HUDSON AQUATIC SYSTEMS.